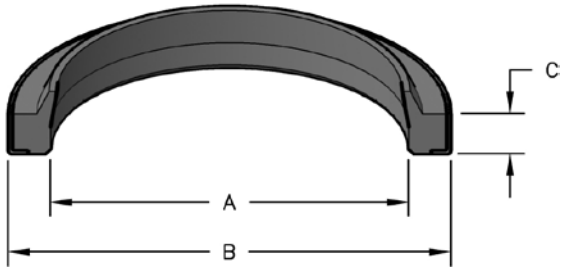


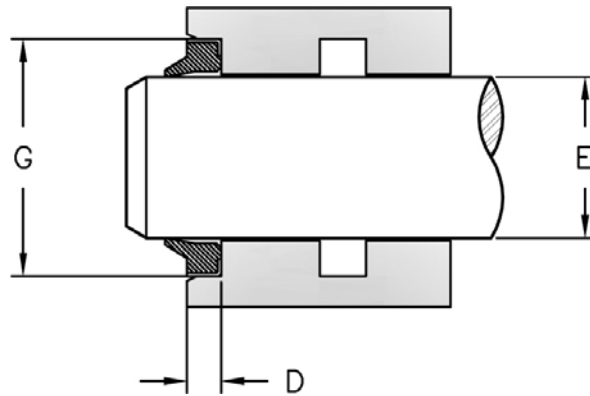
STYLE CWN METAL CLAD WIPERS



PART NUMBERS

CWN - 075
 Prefix Size

SEAL INFORMATION	
MATERIAL	BUNA-N
TEMPERATURE RANGE	-22° TO +212° F
SPEED	3 FT/SEC



Part Number	A Nom. ID	B Nom. OD	C Nom. Ht	D GROOVE WIDTH	E ROD DIAMETER	G HOUSING DIAMETER	
CWN-075	3/4	1-1/8	3/16	.187 ^{+0.015} / _{+0.000}	.750	1.125 ±.001	
CWN-100	1	1-3/8	3/16	.187 ^{+0.015} / _{+0.000}	1.000	1.375 ±.001	
CWN-112	1-1/8	1-1/2	3/16	.187 ^{+0.015} / _{+0.000}	1.125	1.500 ±.001	
CWN-125	1-1/4	1-5/8	3/16	.187 ^{+0.015} / _{+0.000}	1.250	1.625 ±.001	
CWN-150	1-1/2	1-7/8	3/16	.187 ^{+0.015} / _{+0.000}	1.500	1.875 ±.001	
CWN-175	1-3/4	2-1/8	3/16	.187 ^{+0.015} / _{+0.000}	1.750	2.125 ±.001	
CWN-200	2	2-3/8	3/16	.187 ^{+0.015} / _{+0.000}	2.000	2.375 ±.001	
CWN-225	2-1/4	2-5/8	3/16	.187 ^{+0.015} / _{+0.000}	2.250	2.625 ±.001	
CWN-250	2-1/2	2-7/8	3/16	.187 ^{+0.015} / _{+0.000}	2.500	2.875 ±.001	
CWN-275	2-3/4	3-1/8	3/16	.187 ^{+0.015} / _{+0.000}	2.750	3.125 ±.001	
CWN-300	3	3-3/8	3/16	.187 ^{+0.015} / _{+0.000}	3.000	3.375 ±.001	

WIPER RINGS

