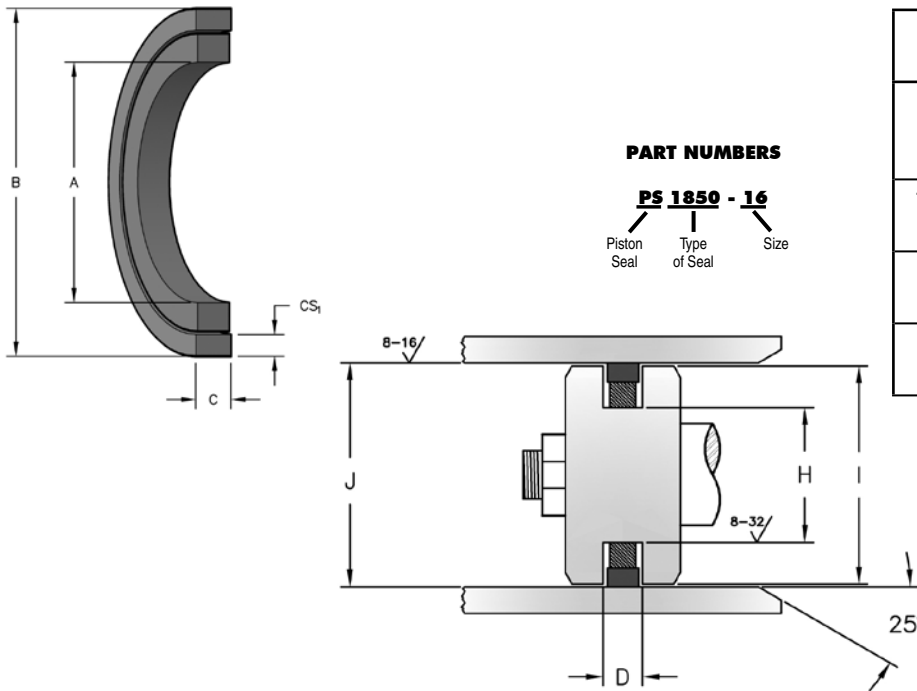


# STYLE PS1850 BRONZE FILLED PISTON SEALS

The PS1850 piston seal can be used interchangeably with the PS1800 style piston seal. This seal provides improved heat resistance for demanding applications. **NOTE:** Piston diameter "I" dimensions are given for pistons without wear rings.



SEAL INFORMATION	
MATERIAL	BRONZE FILLED PTFE SEALS RUBBER ENERGIZER
TEMPERATURE RANGE	-40° TO +220° F
PRESSURE RANGE	0 TO 5,000 PSI
SPEED	12 FT/SEC

Part Number	A Nom. ID	B Nom. OD	C Nom. Ht	D GROOVE WIDTH	H GROOVE DIAMETER	I PISTON DIAMETER	J BORE DIAMETER	C HEIGHT	CS <sub>1</sub> RING CROSS SECTION
PS1850-16	11/16	1	.121	.129 ±.002	.690 ±.002	.999 <sup>+.000</sup> <sub>-.005</sub>	1.000 <sup>+.002</sup> <sub>+.000</sub>	.121 <sup>+.000</sup> <sub>-.005</sub>	.073 <sup>+.000</sup> <sub>-.006</sub>
PS1850-20	15/16	1-1/4	.121	.129 ±.002	.940 ±.002	1.249 <sup>+.000</sup> <sub>-.005</sub>	1.250 <sup>+.002</sup> <sub>+.000</sub>	.121 <sup>+.000</sup> <sub>-.005</sub>	.073 <sup>+.000</sup> <sub>-.006</sub>
PS1850-24	1-3/16	1-1/2	.121	.129 ±.002	1.190 ±.002	1.499 <sup>+.000</sup> <sub>-.005</sub>	1.500 <sup>+.002</sup> <sub>+.000</sub>	.121 <sup>+.000</sup> <sub>-.005</sub>	.073 <sup>+.000</sup> <sub>-.006</sub>
PS1850-28	1-7/16	1-3/4	.121	.129 ±.002	1.440 ±.002	1.749 <sup>+.000</sup> <sub>-.005</sub>	1.750 <sup>+.002</sup> <sub>+.000</sub>	.121 <sup>+.000</sup> <sub>-.005</sub>	.073 <sup>+.000</sup> <sub>-.006</sub>
PS1850-32	1-11/16	2	.121	.129 ±.002	1.690 ±.002	1.999 <sup>+.000</sup> <sub>-.005</sub>	2.000 <sup>+.002</sup> <sub>+.000</sub>	.121 <sup>+.000</sup> <sub>-.005</sub>	.073 <sup>+.000</sup> <sub>-.006</sub>
PS1850-36	1-15/16	2-1/4	.121	.129 ±.002	1.940 ±.002	2.249 <sup>+.000</sup> <sub>-.005</sub>	2.250 <sup>+.002</sup> <sub>+.000</sub>	.121 <sup>+.000</sup> <sub>-.005</sub>	.073 <sup>+.000</sup> <sub>-.006</sub>
PS1850-40	2-3/16	2-1/2	.121	.129 ±.002	2.190 ±.002	2.499 <sup>+.000</sup> <sub>-.005</sub>	2.500 <sup>+.002</sup> <sub>+.000</sub>	.121 <sup>+.000</sup> <sub>-.005</sub>	.073 <sup>+.000</sup> <sub>-.006</sub>
PS1850-44A	2-3/16	2-3/4	.274	.284 ±.002	2.190 ±.002	2.749 <sup>+.000</sup> <sub>-.005</sub>	2.750 <sup>+.002</sup> <sub>+.000</sub>	.274 <sup>+.000</sup> <sub>-.005</sub>	.093 <sup>+.000</sup> <sub>-.006</sub>
PS1850-44	2-7/16	2-3/4	.121	.129 ±.002	2.440 ±.002	2.749 <sup>+.000</sup> <sub>-.005</sub>	2.750 <sup>+.002</sup> <sub>+.000</sub>	.121 <sup>+.000</sup> <sub>-.005</sub>	.073 <sup>+.000</sup> <sub>-.006</sub>
PS1850-48	2-7/16	3	.274	.284 ±.002	2.440 ±.002	2.999 <sup>+.000</sup> <sub>-.006</sub>	3.000 <sup>+.002</sup> <sub>+.000</sub>	.274 <sup>+.000</sup> <sub>-.005</sub>	.093 <sup>+.000</sup> <sub>-.006</sub>
PS1850-52	2-11/16	3-1/4	.274	.284 ±.002	2.690 ±.002	3.249 <sup>+.000</sup> <sub>-.006</sub>	3.250 <sup>+.002</sup> <sub>+.000</sub>	.274 <sup>+.000</sup> <sub>-.005</sub>	.093 <sup>+.000</sup> <sub>-.006</sub>
PS1850-56	2-15/16	3-1/2	.274	.284 ±.002	2.940 ±.002	3.499 <sup>+.000</sup> <sub>-.006</sub>	3.500 <sup>+.002</sup> <sub>+.000</sub>	.274 <sup>+.000</sup> <sub>-.005</sub>	.093 <sup>+.000</sup> <sub>-.006</sub>
PS1850-60	3-3/16	3-3/4	.274	.284 ±.002	3.190 ±.002	3.749 <sup>+.000</sup> <sub>-.006</sub>	3.750 <sup>+.002</sup> <sub>+.000</sub>	.274 <sup>+.000</sup> <sub>-.005</sub>	.093 <sup>+.000</sup> <sub>-.006</sub>
PS1850-64	3-7/16	4	.274	.284 ±.002	3.440 ±.002	3.999 <sup>+.000</sup> <sub>-.006</sub>	4.000 <sup>+.002</sup> <sub>+.000</sub>	.274 <sup>+.000</sup> <sub>-.005</sub>	.093 <sup>+.000</sup> <sub>-.006</sub>
PS1850-68	3-11/16	4-1/4	.274	.284 ±.002	3.690 ±.002	4.249 <sup>+.000</sup> <sub>-.006</sub>	4.250 <sup>+.002</sup> <sub>+.000</sub>	.274 <sup>+.000</sup> <sub>-.005</sub>	.093 <sup>+.000</sup> <sub>-.006</sub>

# STYLE PS1850 BRONZE FILLED PISTON SEALS

Part Number	A Nom. ID	B Nom. OD	C Nom. Ht	D GROOVE WIDTH	H GROOVE DIAMETER	I PISTON DIAMETER	J BORE DIAMETER	C HEIGHT	CS <sub>1</sub> RING CROSS SECTION
PS1850-72	3-15/16	4-1/2	.274	.284 ±.002	3.940 ±.002	4.499 <sup>+0.00</sup> <sub>-.006</sub>	4.500 <sup>+0.02</sup> <sub>+0.000</sub>	.274 <sup>+0.00</sup> <sub>-.005</sub>	.093 <sup>+0.00</sup> <sub>-.006</sub>
PS1850-76	4-3/16	4-3/4	.274	.284 ±.002	4.190 ±.002	4.749 <sup>+0.00</sup> <sub>-.006</sub>	4.750 <sup>+0.02</sup> <sub>+0.000</sub>	.274 <sup>+0.00</sup> <sub>-.005</sub>	.093 <sup>+0.00</sup> <sub>-.006</sub>
PS1850-80	4-7/16	5	.274	.284 ±.002	4.440 ±.002	4.999 <sup>+0.00</sup> <sub>-.006</sub>	5.000 <sup>+0.02</sup> <sub>+0.000</sub>	.274 <sup>+0.00</sup> <sub>-.005</sub>	.093 <sup>+0.00</sup> <sub>-.006</sub>
PS1850-84	4-1/2	5-1/4	.367	.379 ±.002	4.488 ±.002	5.249 <sup>+0.00</sup> <sub>-.007</sub>	5.250 <sup>+0.02</sup> <sub>+0.000</sub>	.367 <sup>+0.00</sup> <sub>-.005</sub>	.147 <sup>+0.00</sup> <sub>-.010</sub>
PS1850-88	4-3/4	5-1/2	.367	.379 ±.002	4.738 ±.002	5.499 <sup>+0.00</sup> <sub>-.007</sub>	5.500 <sup>+0.02</sup> <sub>+0.000</sub>	.367 <sup>+0.00</sup> <sub>-.005</sub>	.147 <sup>+0.00</sup> <sub>-.010</sub>
PS1850-92	5	5-3/4	.367	.379 ±.002	4.988 ±.002	5.749 <sup>+0.00</sup> <sub>-.007</sub>	5.750 <sup>+0.02</sup> <sub>+0.000</sub>	.367 <sup>+0.00</sup> <sub>-.005</sub>	.147 <sup>+0.00</sup> <sub>-.010</sub>
PS1850-96	5-1/4	6	.367	.379 ±.002	5.238 ±.002	5.999 <sup>+0.00</sup> <sub>-.007</sub>	6.000 <sup>+0.02</sup> <sub>+0.000</sub>	.367 <sup>+0.00</sup> <sub>-.005</sub>	.147 <sup>+0.00</sup> <sub>-.010</sub>
PS1850-104	5-3/4	6-1/2	.367	.379 ±.002	5.738 ±.002	6.499 <sup>+0.00</sup> <sub>-.007</sub>	6.500 <sup>+0.02</sup> <sub>+0.000</sub>	.367 <sup>+0.00</sup> <sub>-.005</sub>	.147 <sup>+0.00</sup> <sub>-.010</sub>
PS1850-112	6-1/4	7	.367	.379 ±.002	6.238 ±.002	6.999 <sup>+0.00</sup> <sub>-.007</sub>	7.000 <sup>+0.02</sup> <sub>+0.000</sub>	.367 <sup>+0.00</sup> <sub>-.005</sub>	.147 <sup>+0.00</sup> <sub>-.010</sub>
PS1850-116	6-1/2	7-1/4	.367	.379 ±.002	6.488 ±.002	7.249 <sup>+0.00</sup> <sub>-.007</sub>	7.250 <sup>+0.02</sup> <sub>+0.000</sub>	.367 <sup>+0.00</sup> <sub>-.005</sub>	.147 <sup>+0.00</sup> <sub>-.010</sub>
PS1850-120	6-3/4	7-1/2	.367	.379 ±.002	6.738 ±.002	7.499 <sup>+0.00</sup> <sub>-.007</sub>	7.500 <sup>+0.02</sup> <sub>+0.000</sub>	.367 <sup>+0.00</sup> <sub>-.005</sub>	.147 <sup>+0.00</sup> <sub>-.010</sub>
PS1850-124	7	7-3/4	.367	.379 ±.002	6.988 ±.002	7.499 <sup>+0.00</sup> <sub>-.007</sub>	7.750 <sup>+0.02</sup> <sub>+0.000</sub>	.367 <sup>+0.00</sup> <sub>-.005</sub>	.147 <sup>+0.00</sup> <sub>-.010</sub>
PS1850-128	7-1/4	8	.367	.379 ±.002	7.238 ±.002	7.999 <sup>+0.00</sup> <sub>-.007</sub>	8.000 <sup>+0.02</sup> <sub>+0.000</sub>	.367 <sup>+0.00</sup> <sub>-.005</sub>	.147 <sup>+0.00</sup> <sub>-.010</sub>
PS1850-132	7-1/2	8-1/4	.367	.379 ±.002	7.488 ±.002	8.249 <sup>+0.00</sup> <sub>-.007</sub>	8.250 <sup>+0.02</sup> <sub>+0.000</sub>	.367 <sup>+0.00</sup> <sub>-.005</sub>	.147 <sup>+0.00</sup> <sub>-.010</sub>
PS1850-136	7-3/4	8-1/2	.367	.379 ±.002	7.738 ±.002	8.499 <sup>+0.00</sup> <sub>-.007</sub>	8.500 <sup>+0.02</sup> <sub>+0.000</sub>	.367 <sup>+0.00</sup> <sub>-.005</sub>	.147 <sup>+0.00</sup> <sub>-.010</sub>
PS1850-144	8-1/8	9	.367	.379 ±.002	8.122 ±.002	8.999 <sup>+0.00</sup> <sub>-.008</sub>	9.000 <sup>+0.02</sup> <sub>+0.000</sub>	.367 <sup>+0.00</sup> <sub>-.005</sub>	.210 <sup>+0.00</sup> <sub>-.015</sub>
PS1850-152	8-5/8	9-1/2	.367	.379 ±.002	8.622 ±.002	9.499 <sup>+0.00</sup> <sub>-.008</sub>	9.500 <sup>+0.02</sup> <sub>+0.000</sub>	.367 <sup>+0.00</sup> <sub>-.005</sub>	.210 <sup>+0.00</sup> <sub>-.015</sub>
PS1850-160	9-1/8	10	.367	.379 ±.002	9.122 ±.002	9.999 <sup>+0.00</sup> <sub>-.008</sub>	10.000 <sup>+0.02</sup> <sub>+0.000</sub>	.367 <sup>+0.00</sup> <sub>-.005</sub>	.210 <sup>+0.00</sup> <sub>-.015</sub>
PS1850-168	9-5/8	10-1/2	.367	.379 ±.002	9.622 ±.002	10.499 <sup>+0.00</sup> <sub>-.008</sub>	10.500 <sup>+0.02</sup> <sub>+0.000</sub>	.367 <sup>+0.00</sup> <sub>-.005</sub>	.210 <sup>+0.00</sup> <sub>-.015</sub>
PS1850-176	10-1/8	11	.367	.379 ±.002	10.122 ±.002	10.999 <sup>+0.00</sup> <sub>-.008</sub>	11.000 <sup>+0.02</sup> <sub>+0.000</sub>	.367 <sup>+0.00</sup> <sub>-.005</sub>	.210 <sup>+0.00</sup> <sub>-.015</sub>
PS1850-192	11-1/8	12	.367	.379 ±.002	11.122 ±.002	11.999 <sup>+0.00</sup> <sub>-.008</sub>	12.000 <sup>+0.02</sup> <sub>+0.000</sub>	.367 <sup>+0.00</sup> <sub>-.005</sub>	.210 <sup>+0.00</sup> <sub>-.015</sub>
PS1850-208	12-1/8	13	.367	.379 ±.002	12.122 ±.002	12.999 <sup>+0.00</sup> <sub>-.008</sub>	13.000 <sup>+0.02</sup> <sub>+0.000</sub>	.367 <sup>+0.00</sup> <sub>-.005</sub>	.210 <sup>+0.00</sup> <sub>-.015</sub>
PS1850-224	13-1/8	14	.367	.379 ±.002	13.122 ±.002	13.999 <sup>+0.00</sup> <sub>-.008</sub>	14.000 <sup>+0.02</sup> <sub>+0.000</sub>	.367 <sup>+0.00</sup> <sub>-.005</sub>	.210 <sup>+0.00</sup> <sub>-.015</sub>

**PISTON SEAL  
ASSEMBLIES**

**POWER**  
SUPPLY COMPONENTS