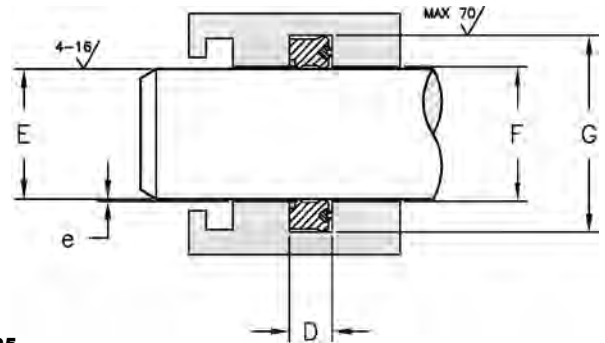
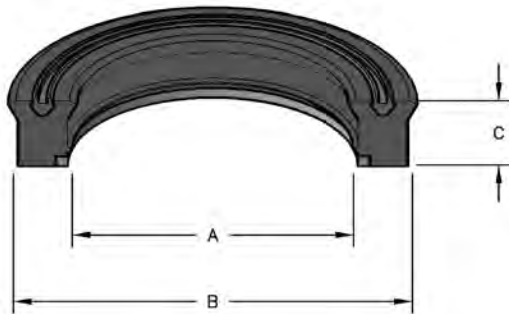


STYLE RTUB SUPER-DUTY ROD U-SEALS

Featuring high pressure and high shock load capability, this seal utilizes the same twin lip design found in RTU style. With the main body of the seal molded from high performance polyurethane, this seal incorporates a dynamically designed nitrile energizer and a tough polyacetal anti-extrusion ring. RTUB is capable of pressures up to 10,000 psi in approved applications.



PART NUMBERS

RTUB 18 - 1.25 - 25

Type of Seal: RTUB
 Cross Section: 18
 Inside Diameter: 1.25
 Height: 25

SEAL INFORMATION					
MATERIAL	94A URETHANE SEAL RUBBER ENERGIZER POLYACETAL ANTI-EXTRUSION RING				
MAXIMUM OPERATING CONDITIONS					
MAXIMUM SPEED	PRESSURE RANGE		TEMPERATURE RANGE		
3 FT/SEC	0 - 6,000 PSI		-50° to +230° F		
MAXIMUM EXTRUSION GAP					
PRESSURE	2,400 PSI	3,750 PSI	6,000 PSI	7,500 PSI	10,000 PSI
MAX. DIAM. GAP	.040"	.032"	.024"	.016"	.010"

Part Number	A Nom. ID	B Nom. OD	C Nom. Ht	D GROOVE WIDTH	E ROD DIAMETER	F THROAT DIAMETER	G HOUSING DIAMETER
3/16" C/S							
RTUB18-1.25-25	1-1/4	1-5/8	1/4	.275 +010 +000	1.250 -0010 -0034	1.251 +003 +000	1.625 ±.0031
RTUB18-1.25-31	1-1/4	1-5/8	.313	.344 +010 +000	1.250 -0010 -0034	1.251 +003 +000	1.625 ±.0031
RTUB18-1.50-25	1-1/2	1-7/8	1/4	.275 +010 +000	1.500 -0010 -0034	1.501 +003 +000	1.875 ±.0031
RTUB18-1.50-31	1-1/2	1-7/8	5/16	.344 +010 +000	1.500 -0010 -0034	1.501 +003 +000	1.875 ±.0031
RTUB18-1.75-25	1-3/4	2-1/8	1/4	.275 +010 +000	1.750 -0010 -0034	1.751 +003 +000	2.125 ±.0037
RTUB18-1.75-37	1-3/4	2-1/8	3/8	.413 +010 +000	1.750 -0010 -0034	1.751 +003 +000	2.125 ±.0037
RTUB18-2.00-37	2	2-3/8	3/8	.413 +010 +000	2.000 -0012 -0041	2.001 +004 +000	2.375 ±.0037
RTUB18-3.75-37	3-3/4	4-1/8	3/8	.413 +010 +000	3.750 -0014 -0048	3.751 +004 +000	4.125 ±.0043

ROD U-SEALS



STYLE RTUB SUPER-DUTY ROD U-SEALS

Part Number	A Nom. ID	B Nom. OD	C Nom. Ht	D GROOVE WIDTH	E ROD DIAMETER	F THROAT DIAMETER	G HOUSING DIAMETER	
1/4" C/S								
RTUB25-1.37-37	1-3/8	1-7/8	3/8	.413 ⁺⁰¹⁰ / ₊₀₀₀	1.375 ⁻⁰⁰¹⁰ / ₋₀₀₃₄	1.376 ⁺⁰⁰³ / ₊₀₀₀	1.875 ±.0031	
RTUB25-1.50-37	1-1/2	2	3/8	.413 ⁺⁰¹⁰ / ₊₀₀₀	1.500 ⁻⁰⁰¹⁰ / ₋₀₀₃₄	1.501 ⁺⁰⁰³ / ₊₀₀₀	2.000 ±.0037	
RTUB25-1.75-37	1-3/4	2-1/4	3/8	.413 ⁺⁰¹⁰ / ₊₀₀₀	1.750 ⁻⁰⁰¹⁰ / ₋₀₀₃₄	1.751 ⁺⁰⁰³ / ₊₀₀₀	2.250 ±.0037	
RTUB25-2.00-37	2	2-1/2	3/8	.413 ⁺⁰¹⁰ / ₊₀₀₀	2.000 ⁻⁰⁰¹² / ₋₀₀₄₁	2.001 ⁺⁰⁰⁴ / ₊₀₀₀	2.500 ±.0037	
RTUB25-2.12-37	2-1/8	2-5/8	3/8	.413 ⁺⁰¹⁰ / ₊₀₀₀	2.125 ⁻⁰⁰¹² / ₋₀₀₄₁	2.126 ⁺⁰⁰⁴ / ₊₀₀₀	2.625 ±.0037	
RTUB25-2.25-37	2-1/4	2-3/4	3/8	.413 ⁺⁰¹⁰ / ₊₀₀₀	2.250 ⁻⁰⁰¹² / ₋₀₀₄₁	2.251 ⁺⁰⁰⁴ / ₊₀₀₀	2.750 ±.0037	
RTUB25-2.37-37	2-3/8	2-7/8	3/8	.413 ⁺⁰¹⁰ / ₊₀₀₀	2.375 ⁻⁰⁰¹² / ₋₀₀₄₁	2.376 ⁺⁰⁰⁴ / ₊₀₀₀	2.875 ±.0037	
RTUB25-2.50-37	2-1/2	3	3/8	.413 ⁺⁰¹⁰ / ₊₀₀₀	2.500 ⁻⁰⁰¹² / ₋₀₀₄₁	2.501 ⁺⁰⁰⁴ / ₊₀₀₀	3.000 ±.0037	
RTUB25-2.75-37	2-3/4	3-1/4	3/8	.413 ⁺⁰¹⁰ / ₊₀₀₀	2.750 ⁻⁰⁰¹² / ₋₀₀₄₁	2.751 ⁺⁰⁰⁴ / ₊₀₀₀	3.250 ±.0043	
RTUB25-3.00-37	3	3-1/2	3/8	.413 ⁺⁰¹⁰ / ₊₀₀₀	3.000 ⁻⁰⁰¹² / ₋₀₀₄₁	3.001 ⁺⁰⁰⁴ / ₊₀₀₀	3.500 ±.0043	
RTUB25-3.25-37	3-1/4	3-3/4	3/8	.413 ⁺⁰¹⁰ / ₊₀₀₀	3.250 ⁻⁰⁰¹⁴ / ₋₀₀₄₈	3.251 ⁺⁰⁰⁴ / ₊₀₀₀	3.750 ±.0043	
RTUB25-3.50-37	3-1/2	4	3/8	.413 ⁺⁰¹⁰ / ₊₀₀₀	3.500 ⁻⁰⁰¹⁴ / ₋₀₀₄₈	3.501 ⁺⁰⁰⁴ / ₊₀₀₀	4.000 ±.0043	
RTUB25-3.62-37	3-5/8	4-1/8	3/8	.413 ⁺⁰¹⁰ / ₊₀₀₀	3.625 ⁻⁰⁰¹ / ₋₀₀₅	3.626 ⁺⁰⁰⁴ / ₊₀₀₀	4.125 ±.004	
RTUB25-3.75-37	3-3/4	4-1/4	3/8	.413 ⁺⁰¹⁰ / ₊₀₀₀	3.750 ⁻⁰⁰¹ / ₋₀₀₅	3.751 ⁺⁰⁰⁴ / ₊₀₀₀	4.250 ±.004	
RTUB25-4.00-37	4	4-1/2	3/8	.413 ⁺⁰¹⁰ / ₊₀₀₀	4.000 ⁻⁰⁰¹⁴ / ₋₀₀₄₈	4.001 ⁺⁰⁰⁴ / ₊₀₀₀	4.500 ±.0043	
RTUB25-4.00-56	4	4-1/2	9/16	.619 ⁺⁰¹⁰ / ₊₀₀₀	4.000 ⁻⁰⁰¹⁴ / ₋₀₀₄₈	4.001 ⁺⁰⁰⁴ / ₊₀₀₀	4.500 ±.0043	
RTUB25-4.50-37	4-1/2	5	3/8	.413 ⁺⁰¹⁰ / ₊₀₀₀	4.500 ⁻⁰⁰¹⁴ / ₋₀₀₄₈	4.501 ⁺⁰⁰⁴ / ₊₀₀₀	5.000 ±.0049	
RTUB25-4.50-56	4-1/2	5	9/16	.619 ⁺⁰¹⁰ / ₊₀₀₀	4.500 ⁻⁰⁰¹⁴ / ₋₀₀₄₈	4.501 ⁺⁰⁰⁴ / ₊₀₀₀	5.000 ±.0049	
RTUB25-5.00-56	5	5-1/2	9/16	.619 ⁺⁰¹⁰ / ₊₀₀₀	5.000 ⁻⁰⁰¹⁷ / ₋₀₀₅₆	5.001 ⁺⁰⁰⁴ / ₊₀₀₀	5.500 ±.0049	
RTUB25-5.50-56	5-1/2	6	9/16	.619 ⁺⁰¹⁰ / ₊₀₀₀	5.500 ⁻⁰⁰¹⁷ / ₋₀₀₅₆	5.501 ⁺⁰⁰⁴ / ₊₀₀₀	6.000 ±.0049	
RTUB25-6.00-56	6	6-1/2	9/16	.619 ⁺⁰¹⁰ / ₊₀₀₀	6.000 ⁻⁰⁰¹⁷ / ₋₀₀₅₆	6.001 ⁺⁰⁰⁴ / ₊₀₀₀	6.500 ±.0049	
RTUB25-7.00-50	7	7-1/2	1/2	.550 ⁺⁰¹⁰ / ₊₀₀₀	7.000 ⁻⁰¹³ / ₋₀₄₉	7.001 ⁺⁰⁰³ / ₊₀₀₀	7.500 ±.045	
5/16" C/S								
RTUB31-2.50-50	2-1/2	3-1/8	1/2	.550 ⁺⁰¹⁰ / ₊₀₀₀	2.500 ⁻⁰⁰¹² / ₋₀₀₄₁	2.501 ⁺⁰⁰⁴ / ₊₀₀₀	3.125 ±.0037	
RTUB31-3.00-50	3	3-5/8	1/2	.550 ⁺⁰¹⁰ / ₊₀₀₀	3.000 ⁻⁰⁰¹² / ₋₀₀₄₁	3.001 ⁺⁰⁰⁴ / ₊₀₀₀	3.625 ±.0043	
RTUB31-3.50-50	3-1/2	4-1/8	1/2	.550 ⁺⁰¹⁰ / ₊₀₀₀	3.500 ⁻⁰⁰¹⁴ / ₋₀₀₄₈	3.501 ⁺⁰⁰⁴ / ₊₀₀₀	4.125 ±.0043	
RTUB31-4.00-37	4	4-5/8	3/8	.413 ⁺⁰¹⁰ / ₊₀₀₀	4.000 ⁻⁰⁰¹ / ₋₀₀₅	4.001 ⁺⁰⁰⁴ / ₊₀₀₀	4.625 ±.004	
RTUB31-4.00-50	4	4-5/8	1/2	.550 ⁺⁰¹⁰ / ₊₀₀₀	4.000 ⁻⁰⁰¹⁴ / ₋₀₀₄₈	4.001 ⁺⁰⁰⁴ / ₊₀₀₀	4.625 ±.0043	
RTUB31-4.00-56	4	4-5/8	9/16	.619 ⁺⁰¹⁰ / ₊₀₀₀	4.000 ⁻⁰⁰¹⁴ / ₋₀₀₄₈	4.001 ⁺⁰⁰⁴ / ₊₀₀₀	4.625 ±.0043	
RTUB31-4.50-37	4-1/2	5-1/8	3/8	.413 ⁺⁰¹⁰ / ₊₀₀₀	4.500 ⁻⁰⁰¹ / ₋₀₀₅	4.501 ⁺⁰⁰⁴ / ₊₀₀₀	5.125 ±.005	
RTUB31-4.50-62	4-1/2	5-1/8	5/8	.688 ⁺⁰¹⁰ / ₊₀₀₀	4.500 ⁻⁰⁰¹⁴ / ₋₀₀₄₈	4.501 ⁺⁰⁰⁴ / ₊₀₀₀	5.125 ±.0049	
RTUB31-5.00-62	5	5-5/8	5/8	.688 ⁺⁰¹⁰ / ₊₀₀₀	5.000 ⁻⁰⁰¹⁷ / ₋₀₀₅₆	5.001 ⁺⁰⁰⁴ / ₊₀₀₀	5.625 ±.0049	

ROD U-SEALS



STYLE RTUB SUPER-DUTY ROD U-SEALS

Part Number	A Nom. ID	B Nom. OD	C Nom. Ht	D GROOVE WIDTH	E ROD DIAMETER	F THROAT DIAMETER	G HOUSING DIAMETER	
RTUB31-5.50-37	5-1/2	6-1/8	3/8	.413 ⁺⁰¹⁰ / ₊₀₀₀	5.500 ⁻⁰⁰² / ₋₀₀₆	5.501 ⁺⁰⁰⁴ / ₊₀₀₀	6.125 ±005	
3/8" C/S								
RTUB37-3.00-62	3	3-3/4	5/8	.688 ⁺⁰¹⁰ / ₊₀₀₀	3.000 ⁻⁰⁰¹² / ₋₀₀₄₁	3.001 ⁺⁰⁰⁴ / ₊₀₀₀	3.750 ±0043	
RTUB37-3.25-62	3-1/4	4	5/8	.688 ⁺⁰¹⁰ / ₊₀₀₀	3.250 ⁻⁰⁰¹⁴ / ₋₀₀₄₈	3.251 ⁺⁰⁰⁴ / ₊₀₀₀	4.000 ±0043	
RTUB37-3.50-62	3-1/2	4-1/4	5/8	.688 ⁺⁰¹⁰ / ₊₀₀₀	3.500 ⁻⁰⁰¹⁴ / ₋₀₀₄₈	3.501 ⁺⁰⁰⁴ / ₊₀₀₀	4.250 ±0043	
RTUB37-4.00-62	4	4-3/4	5/8	.688 ⁺⁰¹⁰ / ₊₀₀₀	4.000 ⁻⁰⁰¹⁴ / ₋₀₀₄₈	4.001 ⁺⁰⁰⁴ / ₊₀₀₀	4.750 ±0049	
RTUB37-4.25-62	4-1/4	5	5/8	.688 ⁺⁰¹⁰ / ₊₀₀₀	4.250 ⁻⁰⁰¹⁴ / ₋₀₀₄₈	4.251 ⁺⁰⁰⁴ / ₊₀₀₀	5.000 ±0049	
RTUB37-4.50-62	4-1/2	5-1/4	5/8	.688 ⁺⁰¹⁰ / ₊₀₀₀	4.500 ⁻⁰⁰¹⁴ / ₋₀₀₄₈	4.501 ⁺⁰⁰⁴ / ₊₀₀₀	5.250 ±0049	
RTUB37-4.75-37	4-3/4	5-1/2	3/8	.413 ⁺⁰¹⁰ / ₊₀₀₀	4.750 ⁻⁰⁰¹⁷ / ₋₀₀₅₆	4.751 ⁺⁰⁰⁴ / ₊₀₀₀	5.500 ±0049	
RTUB37-4.75-62	4-3/4	5-1/2	5/8	.688 ⁺⁰¹⁰ / ₊₀₀₀	4.750 ⁻⁰⁰¹⁷ / ₋₀₀₅₆	4.751 ⁺⁰⁰⁴ / ₊₀₀₀	5.500 ±0049	
RTUB37-5.00-62	5	5-3/4	5/8	.688 ⁺⁰¹⁰ / ₊₀₀₀	5.000 ⁻⁰⁰¹⁷ / ₋₀₀₅₆	5.001 ⁺⁰⁰⁴ / ₊₀₀₀	5.750 ±0049	
RTUB37-5.25-62	5-1/4	6	5/8	.688 ⁺⁰¹⁰ / ₊₀₀₀	5.250 ⁻⁰⁰² / ₋₀₀₆	5.251 ⁺⁰⁰⁴ / ₊₀₀₀	6.000 ±005	
RTUB37-5.75-62	5-3/4	6-1/2	5/8	.688 ⁺⁰¹⁰ / ₊₀₀₀	5.750 ⁻⁰⁰¹⁷ / ₋₀₀₅₆	5.751 ⁺⁰⁰⁴ / ₊₀₀₀	6.500 ±0049	
RTUB37-6.00-62	6	6-3/4	5/8	.688 ⁺⁰¹⁰ / ₊₀₀₀	6.000 ⁻⁰⁰¹⁷ / ₋₀₀₅₆	6.001 ⁺⁰⁰⁴ / ₊₀₀₀	6.750 ±0049	
RTUB37-8.00-62	8	8-3/4	5/8	.688 ⁺⁰¹⁰ / ₊₀₀₀	8.000 ⁻⁰⁰²⁰ / ₋₀₀₆₅	8.001 ⁺⁰⁰⁴ / ₊₀₀₀	8.750 ±0057	
1/2" C/S								
RTUB50-10.00-75	10	11	3/4	.825 ⁺⁰¹⁰ / ₊₀₀₀	10.000 ⁻⁰⁰²² / ₋₀₀₇₃	10.001 ⁺⁰⁰⁴ / ₊₀₀₀	11.000 ±0063	

ROD U-SEALS

